

# KTM 390 ADV '20- / 790 ADV '19- / 890 ADV '21-

## M O U N T I N G I N S T R U C T I O N S

REF 20416

HEADLIGHT PROTECTOR



**QUICK RELEASE  
3" SECONDS**



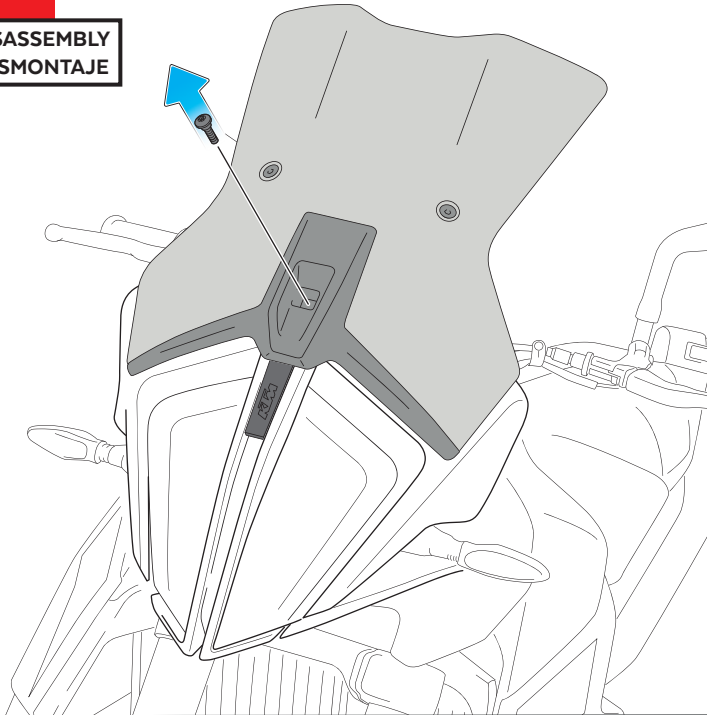
ID	PIEZA/PART	DESCRIPCIÓN	DESCRIPTION	QTY	REF
1		Protector de faro	Headlight protector	1	3758WM3
2		Soporte superior	Upper support	1	SOPOR2P7-S-3758
3		Soporte inferior	Lower support	1	SOPOR2P7-I-3758
4		Silentblock Ø18x Ø9 x Ø11 x 8	Ø18x Ø9 x Ø11 x 8 silentblock	4	SILENBGONE--064
5		Tope de goma Ø4,5-4,6 x 1,5mm	Ø4,5-4,6 x 1,5mm bumper foot	2	TOPEGOMA---3758
6		Tornillo ISO 7380 M4x8 (negro)	M4x8 ISO 7380 Allen screw	1	TORNI-I7380-757
7		Arandela nylon M4	M4 nylon washer	1	ARNV00000000311
8		Clip hexagonal M4 Ø3,96 x 6,35mm	M4 Ø3,96 x 6,35mm exagonal clip	1	CLIP-HEX---3758
9		Tornillo Allen M5x11 Ø11 ISO 7380	M5x11 Ø11 ISO 7380 Allen screw	1	TORNI-AI----520
10		Arandela nylon M5x1	M5x1 nylon washer	2	ARNV00000000245
11		Tornillo Allen M5x16 Ø11 ISO 7380 <b>(KTM 790 ADV '19- / 890 ADV '21-)</b>	M5x16 Ø11 ISO 7380 Allen screw <b>(KTM 790ADV '19- / 890 ADV '21-)</b>	2	TORNI-I7380-493
12		Tornillo Allen M6x16 Ø14 ISO 7380 <b>(KTM 390 ADVENTURE '20-)</b>	M6x16 Ø14 ISO 7380 Allen screw <b>(KTM 390 ADVENTURE '20-)</b>	2	TORNI-I7380-403
13		Casquillo Ø8,5 x Ø13 x 3,5	Ø8,5 x Ø13 x 3,5 arrowhead	2	CASQUI-----775
14		Tapón tornillo M5 ISO 7380	M5 ISO 7380 screw cap	1	TAPON-----85

# KTM 390 ADV '20- / 790 ADV '19- / 890 ADV '21-

INSTRUCCIONES DE MONTAJE - MOUNTING INSTRUCTIONS - MONTAGEANLEITUNG

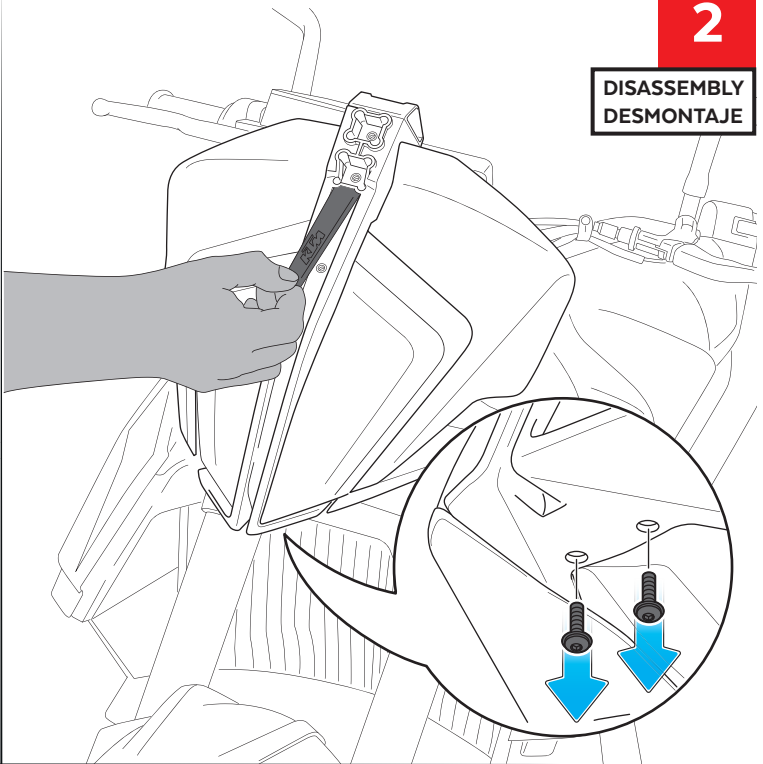
**1**

DISASSEMBLY  
DESMONTAJE



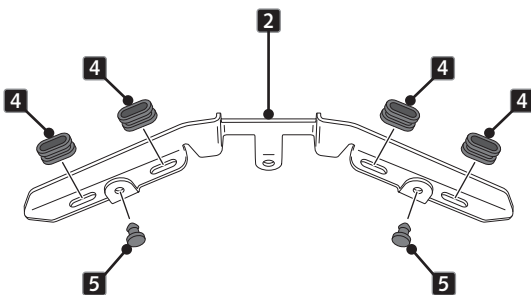
**2**

DISASSEMBLY  
DESMONTAJE



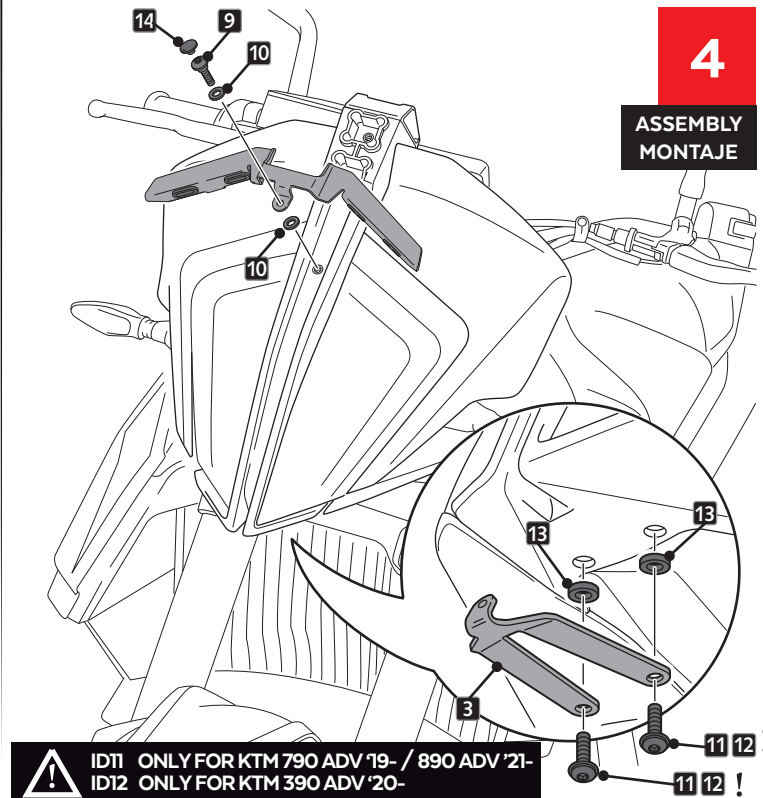
**3**

ASSEMBLY  
MONTAJE



**4**

ASSEMBLY  
MONTAJE



ID11 ONLY FOR KTM 790 ADV '19- / 890 ADV '21-  
ID12 ONLY FOR KTM 390 ADV '20-

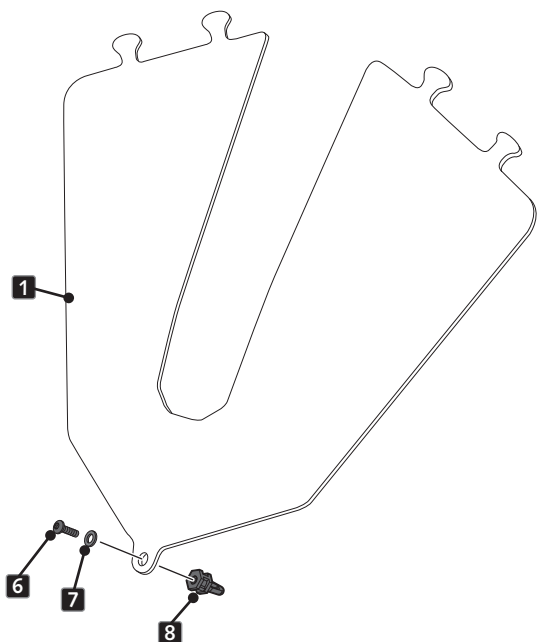
11 12!  
11 12!

# KTM 390 ADV '20- / 790 ADV '19- / 890 ADV '21-

INSTRUCCIONES DE MONTAJE - MOUNTING INSTRUCTIONS - MONTAGEANLEITUNG

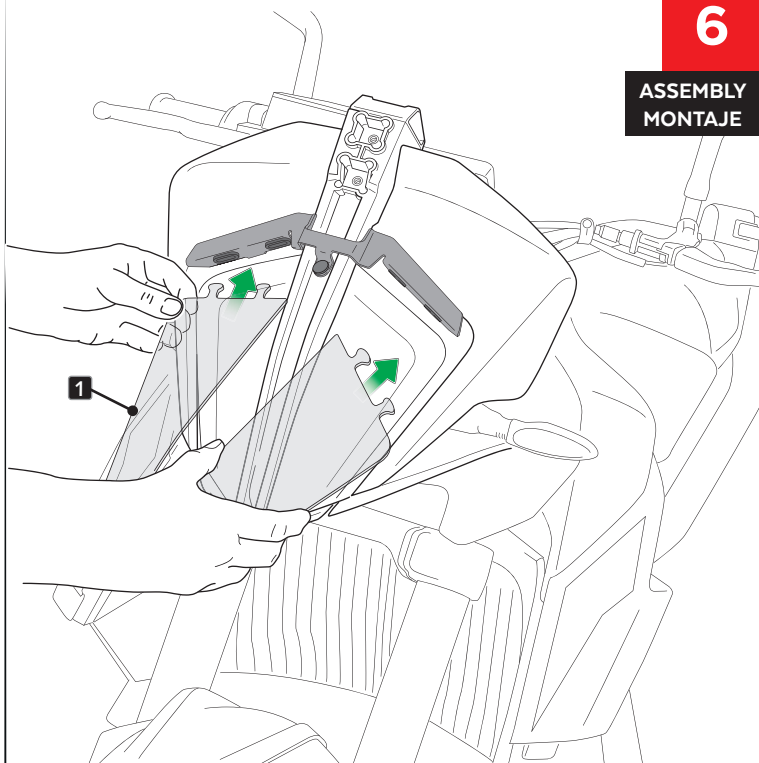
**5**

ASSEMBLY  
MONTAJE



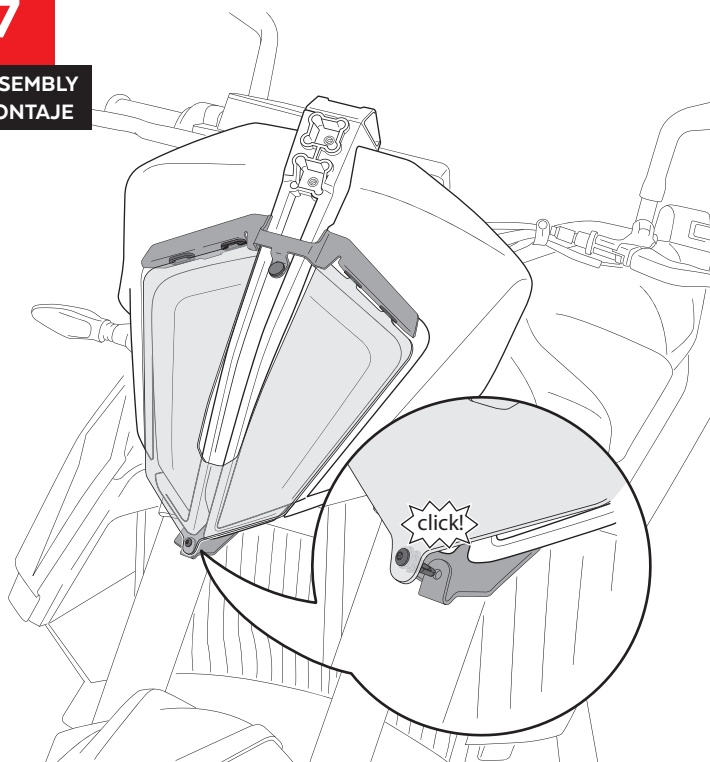
**6**

ASSEMBLY  
MONTAJE



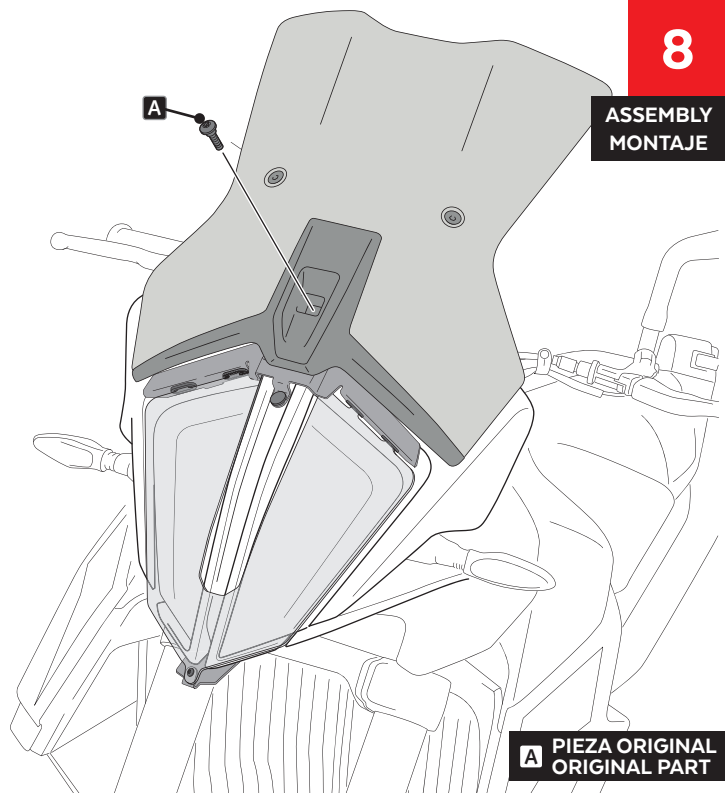
**7**

ASSEMBLY  
MONTAJE



**8**

ASSEMBLY  
MONTAJE



**A** PIEZA ORIGINAL  
ORIGINAL PART